

# AW-4600CPR

The Integrated In-line Weigh/Wrap/Label System



**FULL AUTOMATIC  
IN-LINE**  
Weigh Wrap Label

**Versatile wrapper AW-4600CPR provides powerful packaging solutions for your production line.**



AW-4600CPR (Twin labeller type)

Ethernet Network  
**TCP/IP**



# AW-4600CPR

The Integrated In-line Weigh/Wrap/Label System



## Tray presser for better sealing

Tray presser helps assure better tray sealing so that packages reach destinations with attractive wrapping finishes.

## Options

- Sub labeller
- Straight-through gravity outfeed roller



## U-turn conveyor



## Model variation

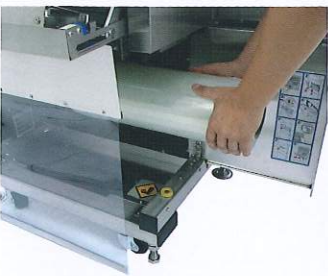


**AW-4600CPR-IWC**  
(integrated with automatic centering infeed conveyor)

SIRLOIN STEAK					EXIT
Prime Quality Beef					
PLU NO. / S&M CODE	TARE kg	WEIGHT kg	per 100g	TOTAL PRICE	
000001-0	0.000	0.196	18.00	35.28	
07-09-07 1823	IMAGE 00000	ADVERT ISING 01/0001	PLU LIST	PLU SEARCH	
CALCULATOR		AUTO		PRE PLU	
INFEEDING STANDARD	HORIZONTAL	W-P	NEXT PLU		
SELL BY DATE	PACKED DATE	PACK	TRAY # 00001	PRE DAY PLU	
07-09-12	07-09-07 18	0000	UP	CJ-553	2nd SCREEN

## Large color touch screen

Free-layout function keys and other built-in functions are easy to use on the 10.4 inches color TFT display to increase flexibility and productivity.



## Simple film loading

Load film easily from the front and quickly return to wrapping.



**AW-4600CPR**  
(Twin labeller type)  
with optional straight-through gravity outfeed roller

## Specifications

### Wrapping

Package size — Width: 130 - 380mm / 5.1 - 15 inches  
Height: 10 - 150mm / 0.4 - 5.9 inches  
Depth: 80 - 260mm / 3.1 - 10.2 inches

*The maximum combination of the above dimensions is not available and the available package size depends on the film width. Please contact your distributor for specific package sizes.*

Film size — Width: 300/350/400/450/500 mm,  
Length: 1,500m (max.)

Number of film roll — One roll

Wrapping speed — 30 packages/min. (max.)

### Labelling

Labeller type — Single labeller, Twin labeller

Label type — Thermal paper

Labelling application — Automatic application both for Main and Sub labeller

Label size — Width: 40 - 80mm, Length: 28 - 100mm

### General

Externals — Resin and stainless steel construction

Power source and power consumption — 208 / 240V; 3Ø; 50 / 60Hz; 1.0kVA

220 - 240V; 1Ø; 50 / 60Hz; 6A; 0.8kW

(7.7A, 1.2kW with AW-4600CPR-IWC)

Net weight — 325kg / 716.50 lb (single labeller type)

Airborne noise emissions — Equivalent continuous A-weighted sound pressure level:

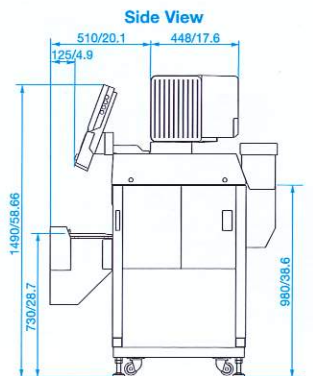
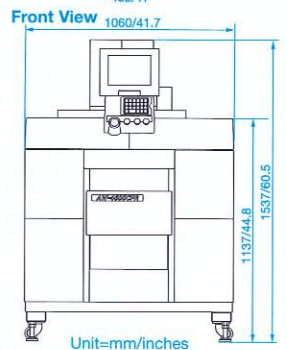
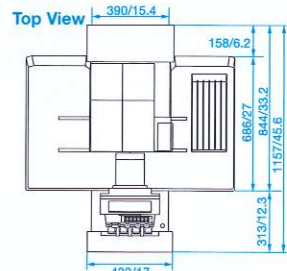
under 70dB

Operating humidity — 90%RH (max.)



\* Specifications are subject to change without notice.

## Dimensions



Unit=mm/inches

## TERAKA SEIKO CO., LTD.

5-13-12 Kugahara, Ohta-ku,  
Tokyo 146-8580 Japan  
TEL:+81-3-3752-0327 FAX:+81-3-3752-5814  
http://www.digisystem.com  
e-mail:info@hq.digi.co.jp

## DIGI I's Ltd.

